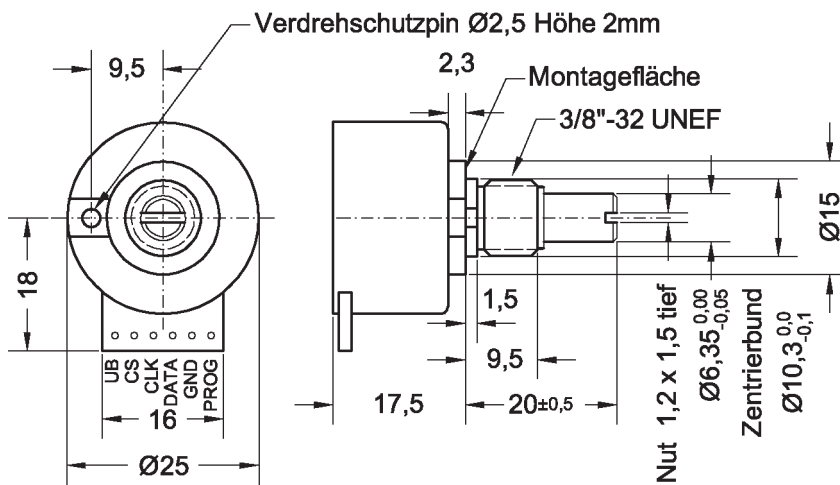


- Low price
- Contactless hall-sensor technology
- Resolution 10 bit per 360°
- Shaft sealing IP65
- Synchronous serial interface
- Programmable zero point setting
- Nominal operating voltage 5V DC (3,3V on requ.)

The absolute control encoder MAB25 is used as a high resolution device or a rotary encoder for applications with limited life expectancy (typ. 5 million rot.)



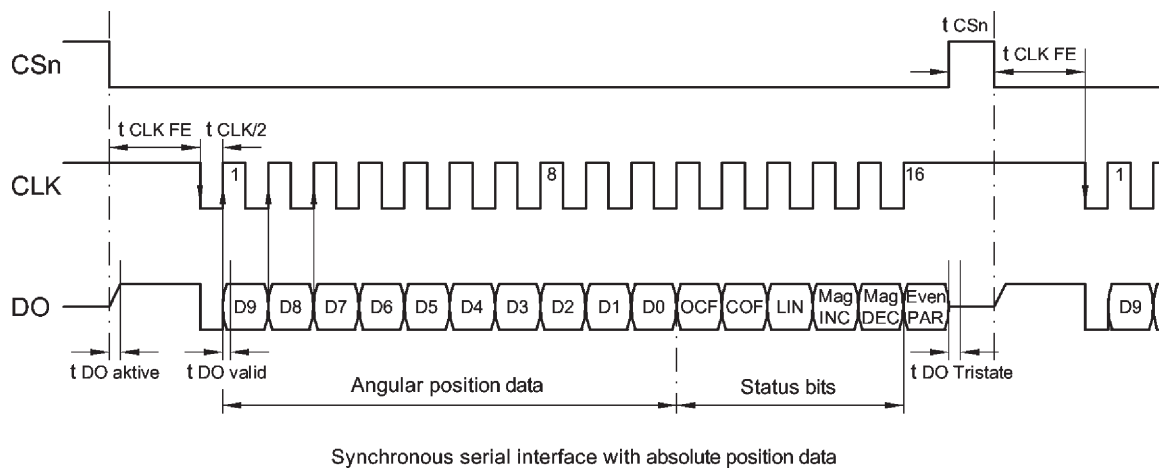
**Dimensional Drawing**



Connection diagram	
UB	Power supply
CS	Chip select, LOW aktiv
CLK	Clock Input
DATA	Data output
GND	Ground
PROG	Programming input

Electrical Specifications	
Resolution (positions/turn)	1024 (10 Bit)
Output signal	synchronous serial (with CS and status bits)
Update-rate position	0,1ms
Supply voltage	4,5V ≤ VDD ≤ 5,5V
Power consumption (no load)	<20 mA
Mechanical Specifications	
Life expectancy	5 Mio. rev.
Mechanical angle	360° without Stop
Max. operating speed	400 rpm
Max. clamping torque of mounting nut	100 Ncm
Weight	22 g
Environmental Specifications / Materials	
Protection grade (front plate)	IP65
Operating temperature range	-40°C ... +125°C
Storage temperature range	-40°C ... +125°C
Bearing	sleeve bearing
Housing	glass-fiber reinforced polyamide
Shaft	stainless steel
Bushing	brass
Mounting parts (included in delivery)	hex-nut (wrench opening 14), inner teeth washer

Timing Diagramm



Ordering Code

MAB25-6,0 1024 5 D	(MAB25 6,00 mm shaft diameter, resolution 1024 positions (10Bit), 5V supply voltage, shaft sealing ring)
MAB25-6,35 1024 5 D	(MAB25 6,35 mm shaft diameter, resolution 1024 positions (10Bit), 5V supply voltage, shaft sealing ring)